

QUICK INSTALLATION GUIDE <G074-8627>

Please read the Safety Information in the Setup Guide or Printer Reference before using this machine. It contains important information related to USER SAFETY and PREVENTING MACHINE PROBLEMS.

1

WHERE TO PUT THE PRINTER

The printer's location should be carefully chosen because environmental conditions greatly affect its performance.

Warning

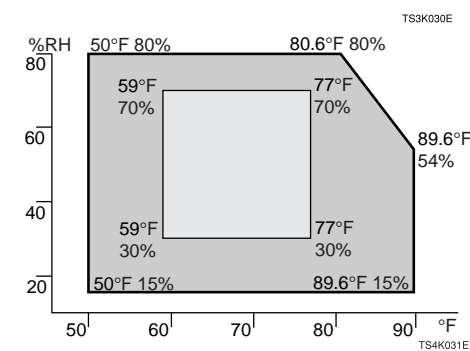
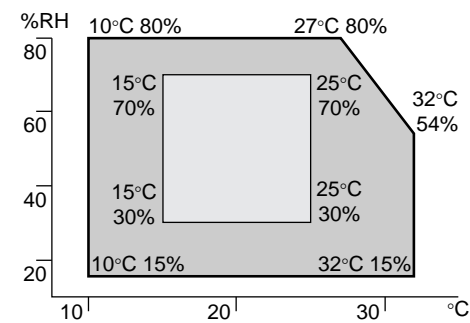
- Confirm that the wall outlet is near the machine and freely accessible, so that in event of an emergency, it can be unplugged easily.
- Only connect the machine to the power source described on this sheet.
- Avoid multi-wiring.
- Do not damage, break or make any modifications to the power cord. Do not place heavy objects on it, pull it hard or bend it more than necessary. These actions could cause an electric shock or fire.

Caution

- Keep the machine away from humidity and dust. A fire or an electric shock might occur.
- Place the machine on a strong and level surface. Otherwise, the machine might fall and cause personal injury.
- If you use the machine in a confined space, confirm that there is a continuous flow of air.

1 Optimum Environmental Conditions

Recommended temperature and humidity



Legend: Possible operation range (shaded), Recommended range (darker shaded)

The machine must be level within 5 mm, 0.2" both front to rear and left to right.

2 Environments to Avoid

Important

- Locations exposed to direct sunlight or strong light
- Dusty areas
- Areas with corrosive gases
- Areas excessively cold, hot, or humid
- Locations near an air conditioner or humidifier
- Locations near other electronic equipment
- Locations where the printer might be subjected to frequent strong vibration

2

UNPACKING THE PRINTER AND CHECKING THE CONTENTS OF THE BOX

- 1 Check the contents of the box according to the following list. If one or some items are missing, please contact your sales or service representative.

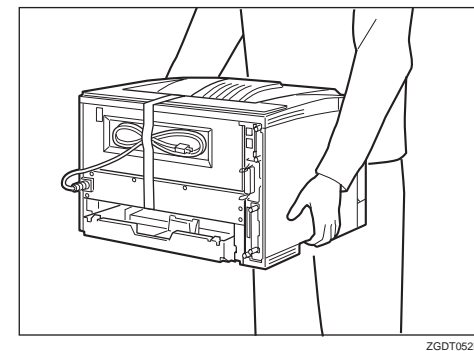
Important

- The interface cable is not included in the box. Make sure that the interface cable you use is appropriate for your computer.

- Quick Installation Guide (this sheet)
- Setup Guide
- CD-ROM (3)
- Printer (including a starter toner cartridge)
- Additional Documentation

- 2 Remove the plastic bag. Lift the printer and move it to the place where you want to install it.

When lifting the machine, use the inset grips on both sides. Otherwise the machine could break or cause injury if dropped.



- 3 Remove the orange adhesive tape (7 pieces).

3

INSTALLING THE TONER CARTRIDGE

Warning

- Do not incinerate spilled toner or used toner. Toner dust might ignite when exposed to an open flame.
- Disposal can take place at our authorized dealer or at appropriate collection sites.
- If you dispose of the used toner cartridge yourself, dispose of them according to your local regulations.

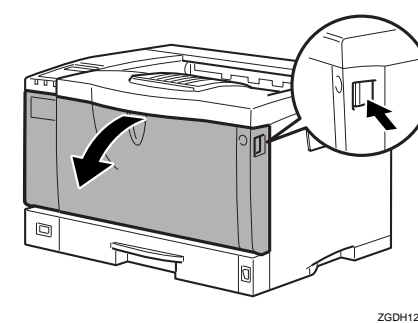
Caution

- Do not eat or swallow toner.
- Keep toner (used or unused) and the toner cartridge out of reach of children.
- Our products are engineered to meet the highest standards of quality and functionality. When purchasing expendable supplies, we recommend using only those provided by an authorized dealer.

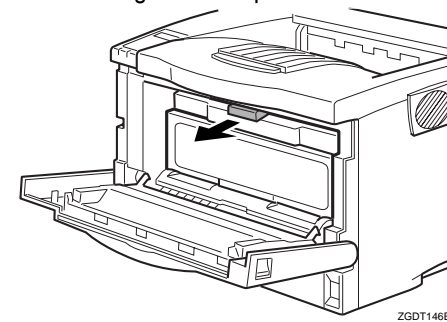
Important

- Do not expose the toner cartridge to a light for a long time. If you do, the toner cartridge will be damaged and the print quality might be reduced.

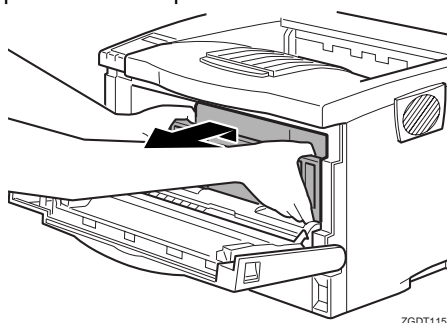
- 1 Open the front cover by pushing the front cover release button.



- 2 Remove the fixing material inserted between toner cartridge and the printer.



- 3 While lifting the front side of the toner cartridge, pull it out of the printer.



Note

- Do not hold the toner cartridge upside down or stand it vertically.
- Do not put the toner cartridge on an unstable or tilted surface.

4

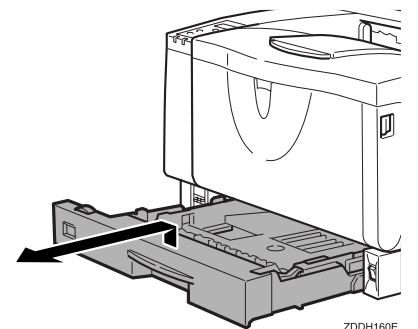
INSTALLING THE PAPER TRAY

The default paper settings size are as follows:
Metric version: A4 (long-edge feed)
Inch version: 8 1/2" x 11" (long-edge feed)

For settings other than the default paper size, see "Loading Paper and Other Media" in the Printer Reference provided as a PDF file on the CD-ROM labeled "Operating Instructions".

For more information about the paper sizes that can be set in the paper tray, see "Paper and Other Media Supported by this Printer" in the Printer Reference provided as a PDF file on the CD-ROM labeled "Operating Instructions".

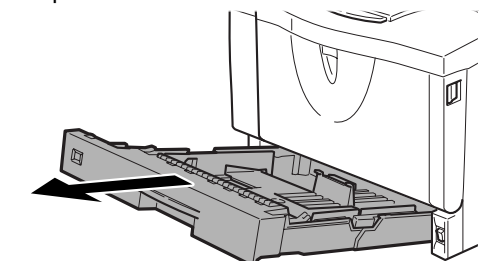
- 1 Lift the paper tray slightly then pull it out until it stops.



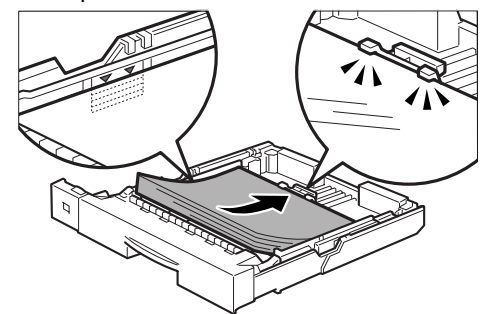
Note

- Do not touch the three white pins on the left front side of the printer.

- 2 While lifting the front side of the tray, pull it out of the printer.



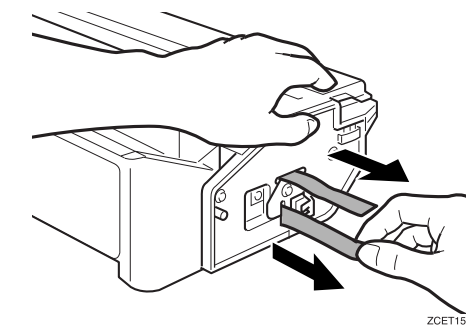
- 3 Load paper into the paper tray with the print side up.



Important

- Confirm that the top of the stack is not higher than the limit mark inside the tray.
- Confirm that the paper fits under the rear guide.

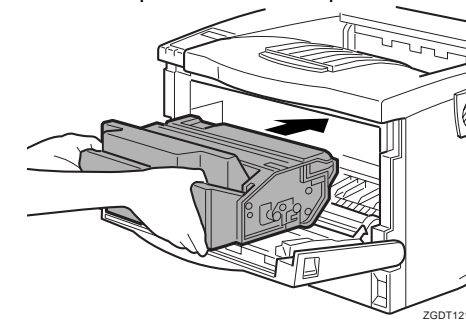
- 4 Place the toner cartridge on a flat surface. Pull out the tape inside the unit horizontally while holding the cartridge with one hand as shown in the illustration.



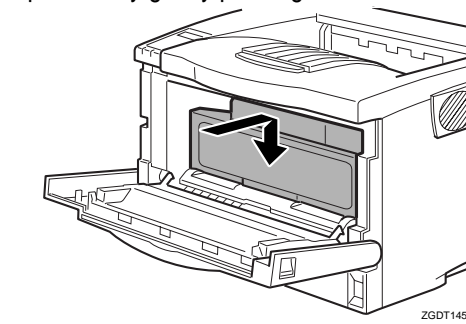
Important

- Be sure to remove the tape completely before installing the toner cartridge. Otherwise, the printer might be damaged.
- If you pull out the strips when the toner cartridge is slant or standing on its side, the cartridge might cause trouble with the printer.
- Be sure to pull the tape horizontally. Pulling it upward or downward may cause the toner to scatter.
- Be careful not to make your cloths dirty with toner.
- After pulling the tape out of the cartridge, toner scatters easily. Do not shake the cartridge.

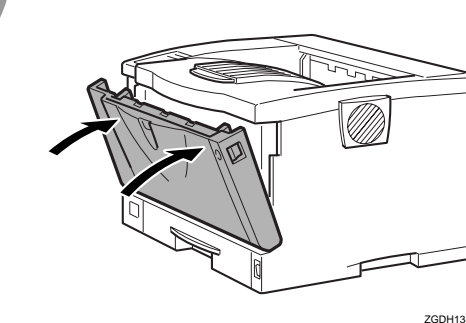
- 5 Holding the grips of the toner cartridge, insert it into the printer until it stops.



- 6 Insert the toner cartridge in its appropriate position by gently pushing down.



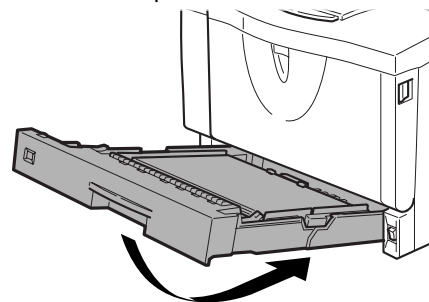
- 7 Close the front cover.



Important

- Do not close the front cover with force. If you cannot close the cover easily, pull out the toner cartridge from the printer and insert it again. After that, close the front cover again.

- 4 Carefully slide the paper tray into the printer until it stops.



ZDDH190E

Important

- Confirm that the setting of the paper size dial matches the size and feed direction of the paper in the tray. Otherwise, the printer might be damaged or a printing problem might occur.
- Do not slide the paper tray in and out with force. If you do, the front and side paper guides will move out of the place.

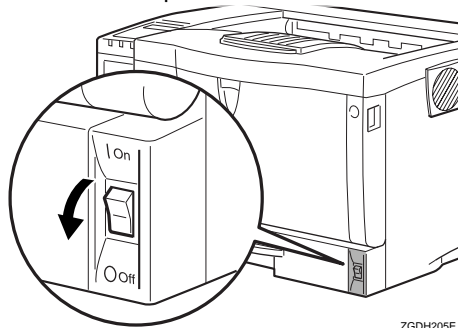
5

CONNECTING THE POWER CORD

Caution

- When you pull the plug out of the socket, grip the plug to avoid damaging the cord and causing a fire or an electric shock.
- It is dangerous to handle the plug with wet hands. An electric shock might occur.

- 1 Check that the power switch is turned off.



ZGDH205E

- 2 Securely insert the power cord plug into the wall socket.

6

SELECTING THE PANEL DISPLAY LANGUAGE

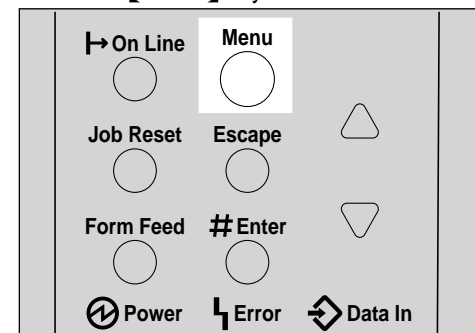
Select a language following the procedures described.
The message for the selected language will appear on the panel display.

Note

- The default setting is English.
- If you want to use the English panel display, the following procedures are unnecessary.

- 1 Check that the power switch is turned on.

- 2 Press the [Menu] key.



ZDSS020N

"Menu" appears on the panel display.

- 3 Press the [▲] or [▼] key until the following message appears on the panel display.



- 4 Press the [Enter #] key.

- 5 Press the [▲] or [▼] key until the language you want to select appears on the panel display.

- 6 Press the [Enter #] key.

- 7 Press the [On Line] key.
The settings are applied and the ready message appears on the panel display.

7

PRINTING A CONFIGURATION PAGE

You can check if the printer works properly by printing a configuration page.
However, you cannot check the connection between the printer and the computer by printing the configuration page.

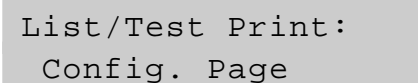
- 1 Check that the power switch is turned on.

- 2 Press the [Menu] key.
"Menu" appears on the panel display.

- 3 Press the [▲] or [▼] key until the following message appears on the panel display.



- 4 Press the [Enter #] key.
The following message appears on the panel display.



- 5 Press the [Enter #] key.
The test printing will start.

Important

- If you cannot complete the test printing correctly, check if an error message appears on the panel display. For more information about error messages, see "Troubleshooting" in the Printer Reference provided as a PDF file on the CD-ROM labeled "Operating Instructions".

8

CONNECTING THE PRINTER TO A COMPUTER

Network connection

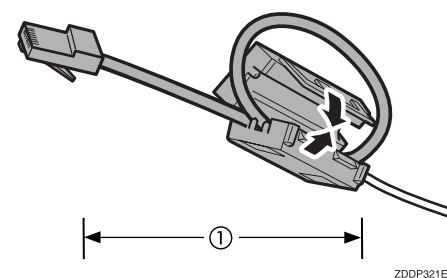
If your printer is installed with the Network Interface Board, follow the procedures below.

- 1 Turn off the power switch.

- 2 Loop the network interface cable and attach the ferrite core.

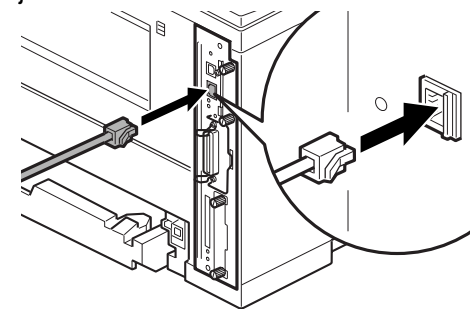
Note

- The network interface cable loop should be about 15 cm (6") (1) from the end of the cable (on the end closest to the printer). The ferrite core at the end of the cable should be a ring type ferrite core.



ZDDP321E

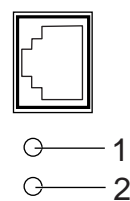
- 3 Attach the network interface cable to the jack on the board.



ZDDT290E

- 4 Connect the other end of the network interface cable to the network.

- 5 Turn on the power switch.
Check the LEDs on the ethernet port.



ZGDH260J

- 1 is lit when the printer is securely connected to the network.
- 2 is lit when 100BASE-TX is in use and not lit when 10BASE-T is in use.

Parallel connection

Important

- The parallel interface cable is not provided with the printer. Make sure that the interface cable you use is appropriate for your computer.
- The printer's parallel connection is a standard bi-directional interface. It requires a standard 36-pin parallel cable compliant with IEEE 1284 and an available parallel port on your computer.
- To avoid electrical interference, use a shielded cable.

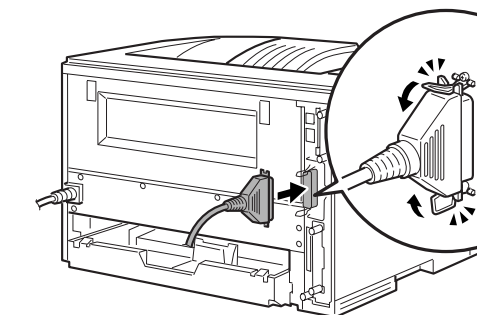
Note

- Do not use a parallel cable more than 2.5 meters (8.2 feet) long.

- 1 Turn off the power switch.

- 2 Turn the computer off.

- 3 Attach the interface cable to the interface connector of the printer. Secure the cable with the metal fittings as shown in the illustration.



ZGDH115E

- 4 Attach the other end of the interface cable to the interface connector of the computer. Secure the cable.

Important

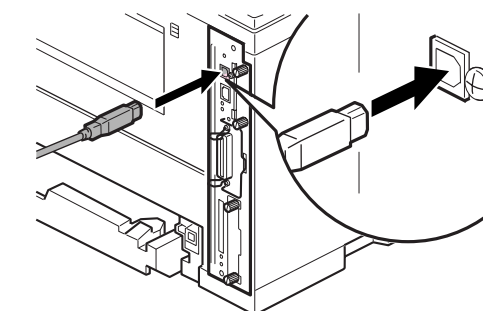
- Rating voltage of the parallel interface connector for the computer ; Max. DC5V.

USB connection

Important

- The USB interface cable is not provided with the printer. Make sure that the USB interface cable you use is appropriate for your computer.

- 1 Attach the USB interface cable to the USB interface connector of the printer. Secure the cable.



ZGD7300E

- 2 Attach the other end of the interface cable to the USB interface connector of the computer or the USB Hub. Secure the cable.

9

SETTING UP FOR PRINTING

Printing requires installation of a printer driver for the operating system.

Reference

- See "Printer Drivers for This Printer" in the Setup Guide.
- If you want to install options, see "Installing Options" in the Setup Guide.